

MOTHERCARE PREPARATORY SCHOOLS
HOLIDAY WORK - WEEK THREE
P.6 SOCIAL STUDIES

Name: _____ Stream: _____

1. Use the map below to answer questions that following.



- a) Name any one product got from the cash crop grown in area shaded xxx.

- b) Why is navigation difficult at **S** on R. Nile?

- c) Write a reason why H.M Stanley circumnavigate (sail around) lake marked **T**.

- d) How are Lake **Y** and Lake **T** similar in terms of formation?

- e) List any one inland port found on Lake **B**.

2. Use the diagram to answer questions that follow.



a) State one use of the above structure at a weather station.

b) Why is the above structure painted white?

c) Mention any one weather instrument kept in the above structure.

d) Give a reason why the above structure is built with louvres.

e) Why are some weather instruments kept in the Stevenson screen?

3.a) What is an ethnic group?

b) Mention four causes of the migration of ethnic group.

(i) _____

(ii) _____

(iii) _____

(iv) _____

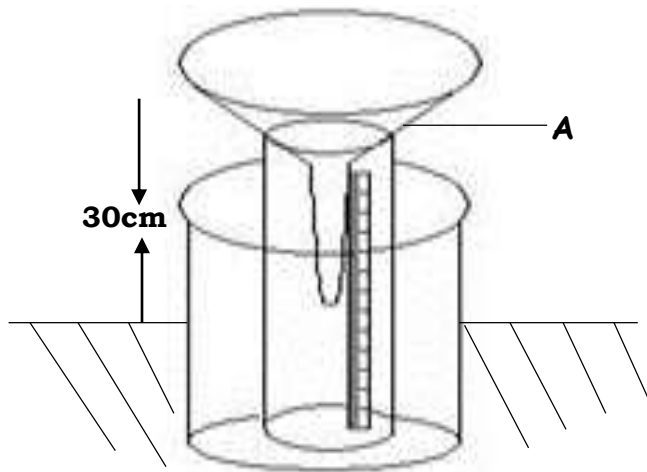
c) List three effects of the migration of the ethnic groups.

(i) _____

(ii) _____

(iii) _____

4. Use the diagram below to answer.



a) Name the above weather instrument.

b) How is the above weather instrument important in the study of weather?

c) Why is the above instrument placed 30cm above the ground?

d) Name part marked A.

e) Mention the best place for putting up the above weather instrument.

f) Write the standard units for measuring rainfall.

-End-