

MOTHERCARE PREPARATORY SCHOOLS

ASSESSMENT ONE - 2021

P.5 SCIENCE

NAME: _____ STREAM _____

BRANCH: _____

1. Which part of a plant makes food?

2. Give the meaning of the term apiculture.

3. State one example of deficiency disease.

4. What name is given to the First set of human teeth?

5. How is a beak important to a bird?

6. Mention any one type of soil.

7. Give the meaning of term air.

8. How are feathers important to birds?

9. State one use of honey to people.

10. Why are some flowers having brightly coloured petals?

11. Give one use of water at home.

12. What are poultry vices?

13. State how a P.5 child can care for his/her teeth.

14. How are spiracles important to an insect?

15. How long is the gestation period of a doe?

16. What reason do farmers give for debeaking their birds?

17. Give the major product of photosynthesis.

18. Why do bees visit flowers?

19. Give one reason why some objects float on water.

20. Mention one danger of too much rainfall to a crop farmer.

21. Why are people advised to sleep under treated mosquito nets at night?

22. Give one duty of a queen bee in the hive.

23. What are solitary insects?

24. State one way food can get contaminated?

25. Mention one system of rearing birds commonly practiced in rural areas.

26. Where does digestion of food begin?

27. What name is given to special food given to the queen bee?

28. Mention one property of air.

29. Name the vector that spreads germs which causes cholera.

30. Give one reason why animals move from one place to another.

31. What name is given to the larva stage of a housefly?

32. Name one disease that affects teeth of humans.

33. State one way of controlling soil erosion in a school compound.

34. Which type of germination does maize grain undergo?

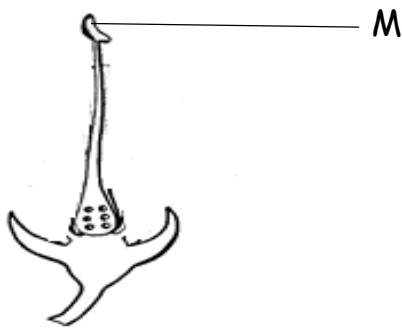
35. Name one item used to clean our body.

36. State one danger of playing with sharp objects.

37. Name one disease spread through sharing clothes.

38. How can kwashiorkor be controlled in infants?

The diagram below shows part of a plant. Use it to answer questions 39 and 40.



39. Name part marked with letter M.

40. What scientific name is given to the diagram above?

SECTION B

41.a. Define the term First Aid.

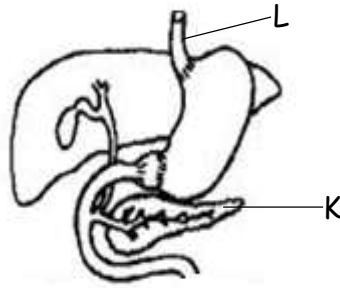
b. State two reasons why casualties should be given First Aid.

(i) _____

(ii) _____

c. Give one item found in a first aid box.

42. The diagram below shows part of the alimentary canal. Use it to answer the question that follow.



- a. Name parts marked with letters K and L.
 (i) K _____ (ii) L _____
- b. By which process does food move through part L?

- c. State one way a person can maintain the proper functioning of the digestive system.

43. Study the vectors below and match them with their diseases correctly.

A	B
Culex mosquito	Nagana
House fly	Bubonic plague.
Tsetse fly	Bilharziasis.
Rat fleas	Elephantiasis
	diarrhoea

- (i) culex mosquito _____
- (ii) housefly _____
- (iii) tsetse fly _____
- (iv) rat fleas _____

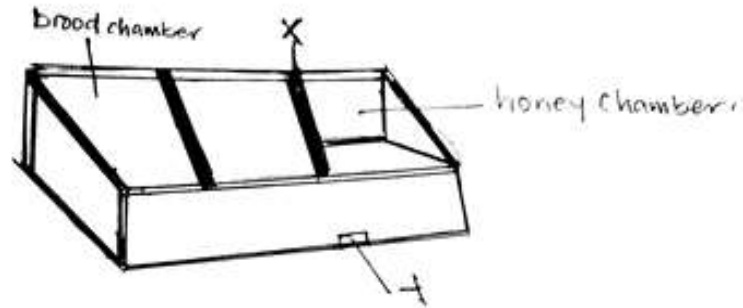
- 44.a. Give the meaning of the following terms.

- (i) Mass _____
- (ii) Volume _____

- b. Why do some objects sink in water?

- c. Name the method used to find the volume of irregular objects.

45. The diagram below shows a modern bee hive. Use it to answer the questions that follow.



- a. Name part marked with letter X.
- _____
- b. What is the function of part Y?
- _____
- c. Give any one duty of a worker bee in the hive.
- _____
- d. Why is honey harvesting always done in the evening?
- _____

- 46.a. Define the term poultry.

- b. Give any two types of poultry.

(i) _____

(ii) _____

- c. Mention any one product got from poultry.

- 47.a. What is sanitation?

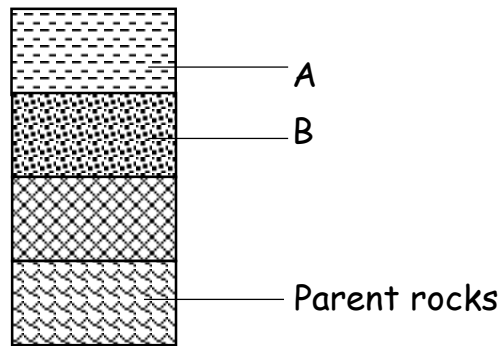
- b. State two ways of promoting sanitation in a school.

(i) _____

(ii) _____

- c. How is a latrine important in promoting sanitation?

48. The diagram below shows the vertical arrangement of soil layers use it to answer the questions that follow.



- a. What name is given to the vertical arrangement of soil layers?

- b. Name the layers of soil marked with letters A and B.

(i) _____ (ii) _____

- c. Which layer of soil is humus commonly found?

- 49.a. What are enzymes?

- b. Give one characteristic of enzymes.

- c. Which type of digestion is practiced by teeth in the mouth?

- d. Name the process that takes place in the ileum?

- 50.a. Define the term dehydration?

- b. Give any two causes of dehydration.

(i) _____

(ii) _____

- c. State one way of replacing the lost water and mineral salts in the body.

51. The diagram below shows a feather use it to answer the questions that follow.



- a. Name parts marked with letters **W** and **Z**.
(i) _____ (ii) _____
- b. Which type of feather is shown in the diagram above?

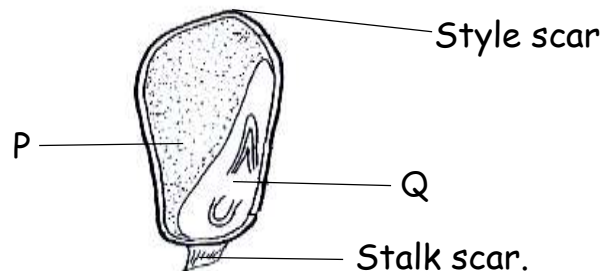
- c. Give any one use of feathers to birds.

52.a. What are vaccines?

- _____
- _____
- b. Mention any one type of vaccine.

- c. Apart from the six child hood killer immunisable diseases, give any other two immunisable diseases.
(i) _____ (ii) _____

53. The diagram below shows a maize grain, use it to answer the questions that follow.



- a. Name parts marked P and Q?
(i) _____ (ii) _____
- b. Why is a maize grain regarded as a fruit?

- c. Which food value do we get from eating maize?

54.a. What are farm records?

b. Give any two examples of farm records found on a poultry farm.

(i) _____

(ii) _____

c. How are farm records important to a poultry farmer?

55.a. Define the term heat.

b. By which process does heat travel through;

(i) solids _____

(ii) liquids _____

c. Give any one effect of heat on matter.

-The end-