

MOTHERCARE PREPARATORY SCHOOLS
REVISION WORK TERM I - 2020
P.7 MATHEMATICS

Time Allowed: 2 Hours 30 Minutes

INDEX NO:

Random No.						Personal No.		

Candidate's Name: _____

Candidate's Signature: _____ Stream: _____

School Random No: _____

District ID: _____

Read The Following Instructions Carefully.

1. The paper has **two** sections: **A** and **B**.
2. All the working for both sections **A** and **B** must be shown in the spaces provided.
3. **All** working must be done using a blue or black ball – point pen or fountain pen. Diagrams must be drawn in pencil.
4. Un necessary changes of work may lead to loss of marks.
5. Any handwriting that cannot easily be read may lead to loss of marks.
6. Do not fill anything in boxes indicated: "**For Examiners' Use only**" and those inside the question paper.

FOR EXAMINERS' USE ONLY			
SECTION	EXRS MARKS	T/L MARKS	OFFICE
A			
B			
TOTAL			

SECTION A: 40 MARKS

1. Work out: $36 \div 3$

2. Write: "Eighty thousand eighty eight" in figures

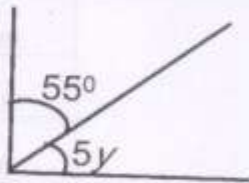
3. Solve for y : $2y - 6 > 3$

--	--	--	--	--	--	--	--

4. Work out: $\frac{1}{2} + \frac{3}{4}$

5. Find the square root of 1.44

6. Find the size of angle y in the figure below.



7. Musa deposited sh. 400,000 in the bank that offers an interest rate of 5% per month for $1\frac{1}{2}$ years. Find his amount of money he had on his account after $1\frac{1}{2}$ years.

8. Express 72km/hr into metres per second

9. The Academic committee meeting ended at 4: 45pm, what time did the meeting end in 24 hour clock system?

10. Using a ruler and a pair of compasses only, construct an angle of 75° .

11. Express 134_{five} into a binary base.

12. A man bought a watch at sh. 20,000 and later sold it at sh. 15, 000. Calculate his percentage loss.

13. Work out: $2 - 5 = \underline{\hspace{2cm}}$ (finite 6)

14. The LCM of two numbers is 100 and their GCF is 5. If one of the numbers is 20, find the second number.

15. During an interview, two marks are awarded for the correct answer and one mark is deducted for any wrong answer given. If twenty questions were asked and Mukuluu passed half of the questions asked, how many marks did he get?

16. Solve: $\frac{2}{3}k - 6 = 12$

17. A lady had sh. 27,000 in her bag. She spent $\frac{1}{3}$ on meat and half of the remainder on fish. How much money did she remain with?

18. The circumference of a circle is 88 m, find its diameter (Take π as $\frac{22}{7}$).

19. If 8 girls can take 20 days to do a piece of work. How many less days can 16 girls take to do the same piece of work?

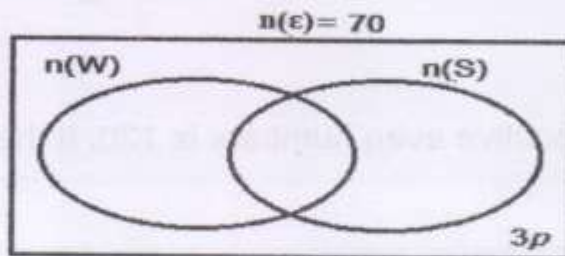
20. There are 16 subsets in set A. How many members can be got from set A?

SECTION B: (60 MARKS)

21. In a party attended by 70 people, 40 took water (W), 15 took soda (S) only, 20 took both drinks while 3p did not take any of the two drinks.

a) Complete the Venn diagram below

(3 marks)



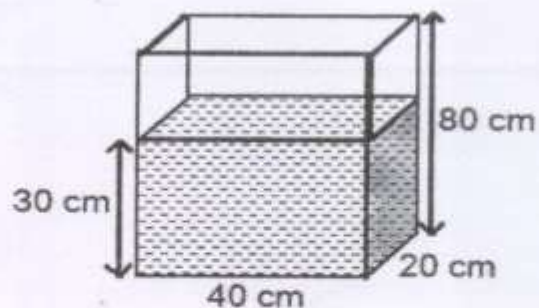
b) Find the number of people who took neither of the two drinks.

(2 marks)

c) How many people took water but not soda?

(1 marks)

22. The figure below contains the amount of water. Use it to answer the questions that follow.



a) Find the amount of water contained in the tank in litres.

(2 marks)

b) How many litres of water are needed to fill the tank?

(2 marks)

23. The sum of three consecutive even numbers is 120. If the largest number is k , find the numbers.

(3 marks)



24.a) Using a ruler and a pair of compasses only, construct a triangle PQR in which $PQ = 7.5$ cm, $PR = 6$ cm and angle $QPR = 120^\circ$.

(4 marks)



b). Measure the line BC.

(1 mark)

25. The table below shows the marks scored by pupils in a mathematics exam.

Marks scored	80	h	90	60
Number of pupils	2	3	1	4

a) How many pupils sat for the exam? (2marks)

b) If the mean mark is 70, find the value of h . (3marks)

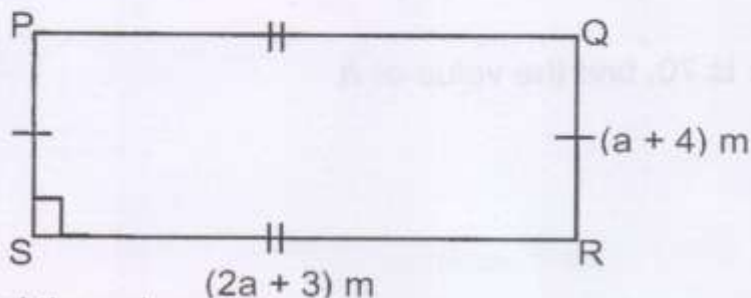
26. The head teacher went to the bank and withdrew the amount of money as shown on the table below. Use it to answer the questions that follow.

Denomination	Number of notes	Amount
Five thousand shilling notes	40 notes	Sh. _____
_____	35 notes	Sh. 700,000
Ten thousand shilling notes	___ notes	Sh. 300,000
Fifty thousand shilling notes	___ notes	Sh. _____
	Total	Sh. 1,800,000

a) Complete the table above correctly. (5 marks)

- b) If he used sh. 245,000 for buying the scholastic materials, how much change did he remain with? (1 mark)

27. The perimeter of the rectangle below is 50 m. Use it to answer the questions that follow.



- a) Find the value of a .

(2 marks)

- b) Work out the area of the figure above.

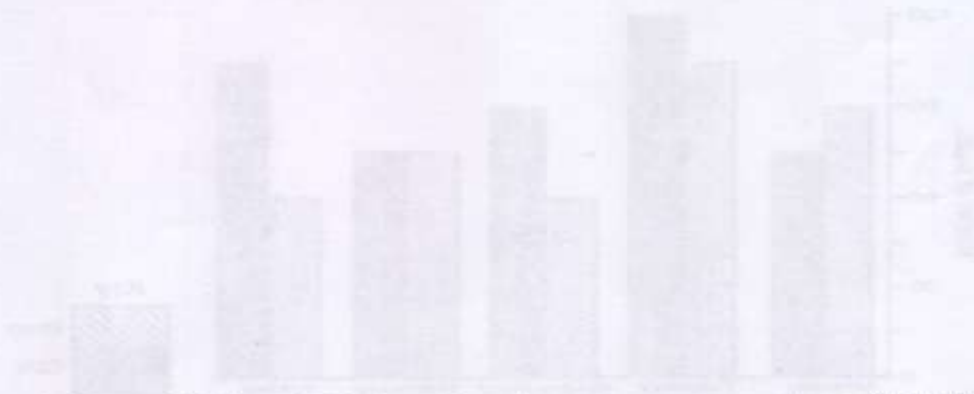
(3 marks)

28. In a school of 3000 pupils, $\frac{2}{3}$ of them are girls and the rest are boys. If $\frac{1}{4}$ of the boys and $\frac{2}{5}$ of the girls are in lower primary, how many pupils are in upper primary? (3 marks)

29.a) Find the product of the value of 6 and 5 in the number 158.063. (2marks)

b) What number has been written in standard form to give 6.5×10^5 ? (2marks)

c) If $43_n = 113_{\text{four}}$, find the value of n . (3marks)

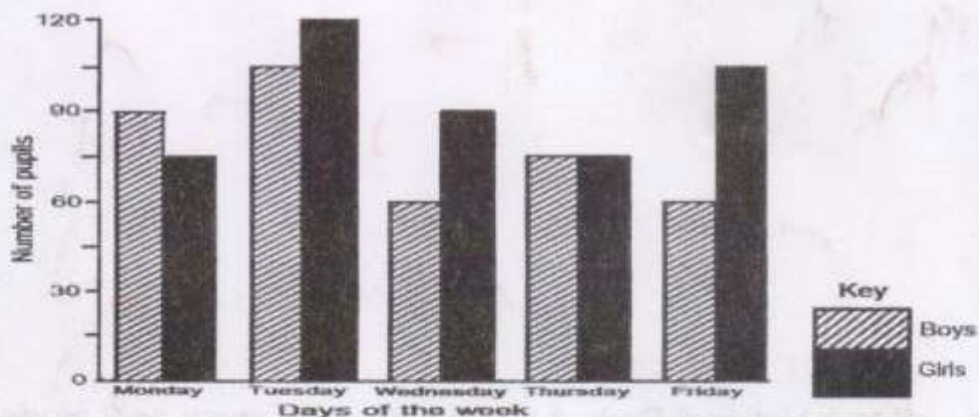


30. For a visit to a National Park, a teacher pays as much as 2 students. At one time, 3 teachers and 18 students were charged sh. 600,000. Find the charge for a student. (3 marks)

31. Muwawu, Tamale and Rukundo shared a certain amount of money in the ratio of 4: 3: 5 respectively. If Tamale got sh. 80,000 less than Rukundo,
- a) How much money did they share altogether? (4 marks)

- b) What percentage of the money did Tamale get? (1 marks)

32. The bar graph below shows the number of boys and girls who were present in a week. Study it carefully and answer the questions that follow.



- a) How many boys were present on Tuesday? (1 mark)
- b) Which day had the same number of boys and girls present? (1 mark)
- c) Find the average attendance of the girls for the whole week. (2 marks)